



**Electrolux**  
PROFESSIONAL

**Modular Cooking Range Line**  
thermaline 80 - 600 mm Open base,  
GN conform, 1 Side (H2) - H=450

ITEM # \_\_\_\_\_

MODEL # \_\_\_\_\_

NAME # \_\_\_\_\_

SIS # \_\_\_\_\_

AIA # \_\_\_\_\_



588132 (MA1BCAFOOO)

Open Base, one-side  
operated, GN - H2

### Short Form Specification

Item No. \_\_\_\_\_

600 mm wide open base compartment to store pots, pans, sheet pans, etc. with hygienic design and round edges. Internal frame for heavy duty sturdiness in stainless steel. Flat surface construction, easily cleanable. Open storage space in the base accepts GN 1/1 containers.

IPX5 water resistant certification.

Configuration: One-side operated freestanding base, hygienic class H2.

### Main Features

- All major components may be easily accessed from the front.
- Unit to be placed below modular top appliances to store pots, pans, sheet pans, etc.

### Construction

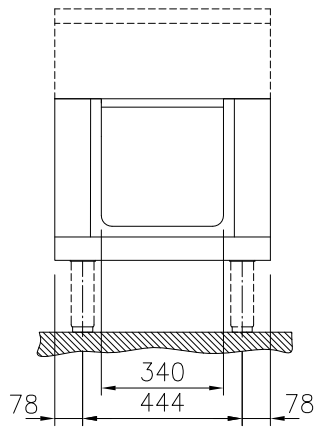
- IPX5 water resistance certification.
- Hygienic design of the open base compartment with large round edges.
- Storage space in the base of the appliance that can accept GN1/1 containers.
- 2 mm top in 1.4301 (AISI 304).
- Flat surface construction with minimal hidden areas to easily clean all surfaces
- Internal frame for heavy duty sturdiness in stainless steel.

APPROVAL: \_\_\_\_\_

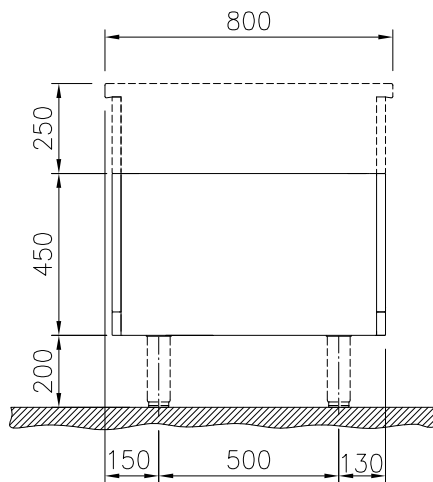


Experience the Excellence  
[www.electroluxprofessional.com](http://www.electroluxprofessional.com)

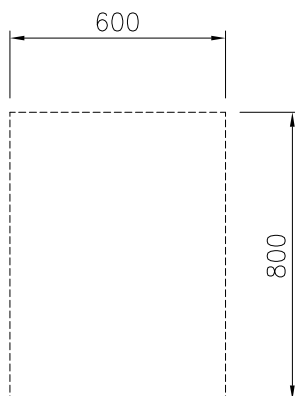
Front



Side



Top


**Key Information:**

External dimensions, Width:	
588132 (MA1BCAFOOO)	600 mm
External dimensions, Depth:	800 mm
External dimensions, Height:	450 mm
Cupboard Cavity Dimensions (width):	340 mm
Cupboard Cavity Dimensions (height):	330 mm
Cupboard Cavity Dimensions (depth):	740 mm
Net weight:	18 kg

**Optional Accessories**

- Stainless steel side panel, 800x700mm, freestanding PNC 912509
  - Stainless steel front kicking strip, 600mm width PNC 912632
  - Stainless steel side kicking strip left and right, freestanding, 800mm width PNC 912655
  - Stainless steel side kicking strip left and right, against the wall, 800mm width PNC 912658
  - Stainless steel side kicking strip left and right, back-to-back, 1610mm width PNC 912661
  - Stainless steel plinth, against wall, 600mm width PNC 912842
  - Stainless steel plinth, freestanding, 600mm width PNC 912861
  - Stainless steel panel, 800x700mm, against wall, left side PNC 913093
  - Stainless steel panel, 800x700mm, against the wall, right side PNC 913097
  - Back panel, 600x450mm, for bases one-side operated PNC 913165
  - Stainless steel side panel, left, H=700 PNC 913214
  - Stainless steel side panel, right, H=700 PNC 913215
  - Perforated shelf for warming cabinets and cupboard bases (one-side operated TL80-85-90 and two-side operated for TL80) PNC 913233
  - Side reinforced panel only in combination with side shelf, for freestanding units PNC 913258
  - Side reinforced panel only in combination with side shelf, for against the wall installations, left PNC 913263
  - Side reinforced panel only in combination with side shelf, for against the wall installations, right PNC 913265
  - Side reinforced panel only in combination with side shelf, for back-to-back installations, left PNC 913271
  - Side reinforced panel only in combination with side shelf, for back-to-back installation, right PNC 913272
  - Shelf fixation for TL80-85-90 one-side operated, TL80 two-side operated PNC 913279
  - Stainless steel dividing panel, 800x700mm, (it should only be used between Electrolux Professional thermaline Modular 80 and thermaline C80) PNC 913668
- Stainless steel side panel, 800x700mm, flush-fitting (it should only be used against the wall, against a niche and in between Electrolux Professional thermaline and ProThermetic appliances and external appliances - provided that these have at least the same dimensions) PNC 913684